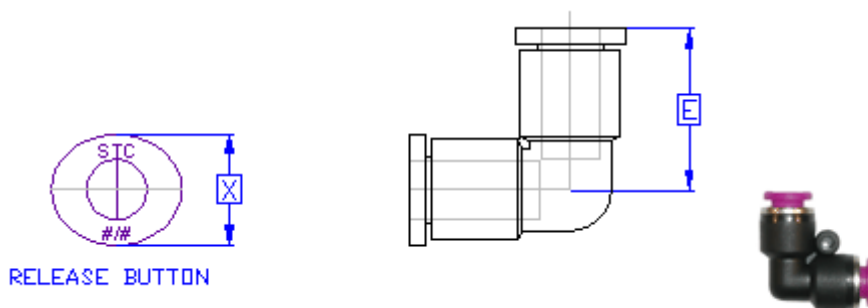


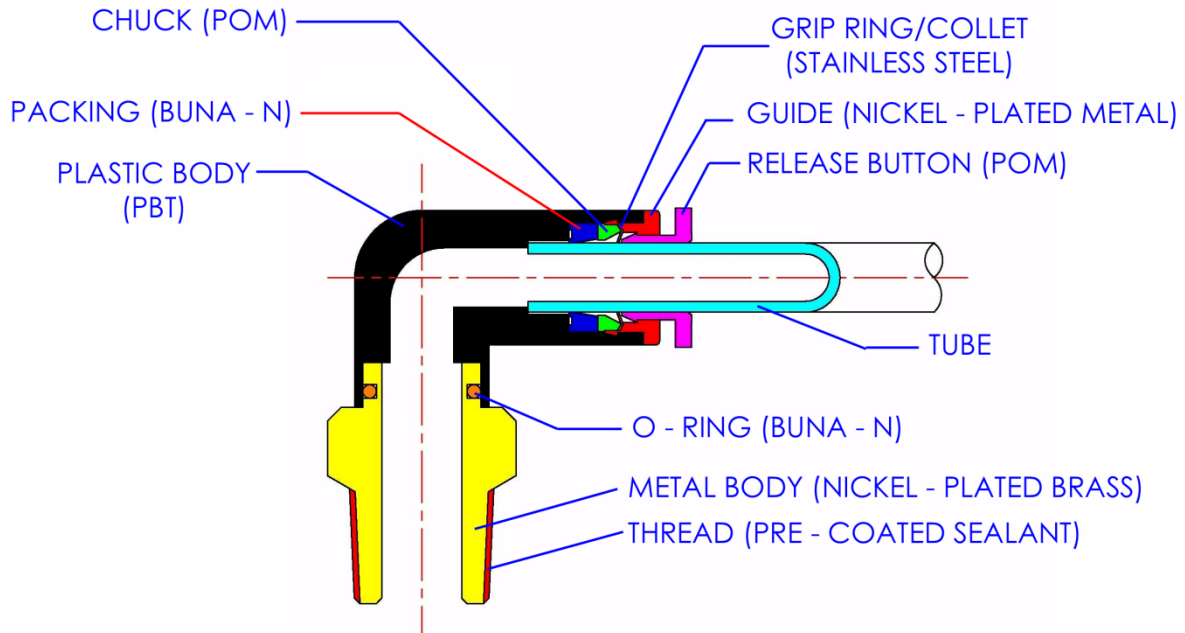
Tee Union (TU) Push-In Fitting Specifications:



	Tube OD	C	E	F	P	X	Y	D1	WEIGHT (g)
EU-5/32	5/32	0.56	0.70	0.32	0.41	0.38	0.46	0.12	3.8
EU-3/16	3/16	0.63	0.76	0.35	0.44	0.43	0.50	0.08	4.6
EU-1/4	1/4	0.62	0.80	0.37	0.52	0.47	0.55	0.12	6.0
EU-5/16	5/16	0.64	0.89	0.48	0.58	0.54	0.61	0.12	7.6
EU-3/8	3/8	0.81	1.07	0.45	0.72	0.65	0.74	0.12	13.8
EU-1/2	1/2	0.80	1.11	0.57	0.86	0.79	0.89	0.12	20.0
EU-4	4	13.5	18.2	7.8	10.6	9.6	11.7	3.0	4.0
EU-6	6	14.7	20.3	9.4	13.3	11.6	13.6	3.0	6.0
EU-8	8	16.2	23.2	10.9	14.7	13.7	15.6	3.0	7.3
EU-10	10	20.2	27.7	12.7	18.4	16.0	18.3	3.0	13.4
EU-12	12	20.0	28.1	14.7	20.3	18.5	21.4	3.0	16.5

Specifications, Materials of Construction and Schematic of Typical Construction:

	Composite Fittings	
	(Standard-Purple Button)	(K Series-Black Button)
Operating Pressure Range	0 - 150 PSI (0 - 990 kpa)	0 - 180 PSI (0 - 1200 kpa)
Vacuum	0 - 29.5 in Hg (750 mm Hg)	
Operating Temperature	32 - 140 °F (0 - 60 °C)	
Recommended Tubing Material	Polyurethane, Nylon, Polyethylene, Polypropylene	
Metal Body	Brass, Nickel Plated	
Plastic Body	PBT (Polybutylene terephthalate)	
Release Button	POM (Poly oxy methylene copolymer)	
Grip Ring or Collet	300 series Stainless Steel	
O-ring	NBR (Buna-N)	
Thread Sealant	Teflon	
Service	FOR AIR ONLY	



SCHEMATIC OF TYPICAL COMPOSITE FITTING CONSTRUCTION